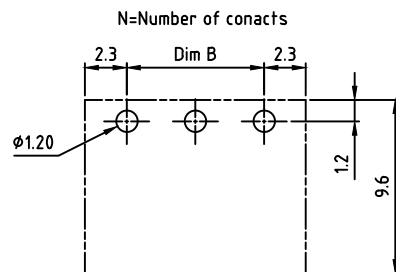
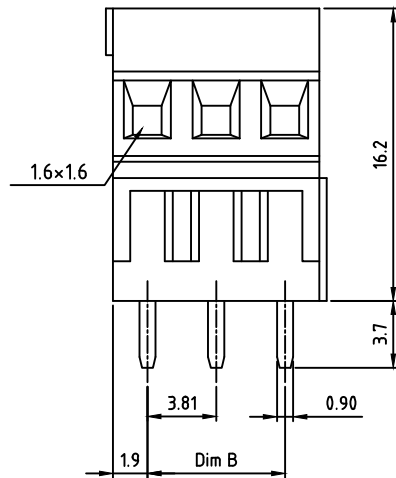
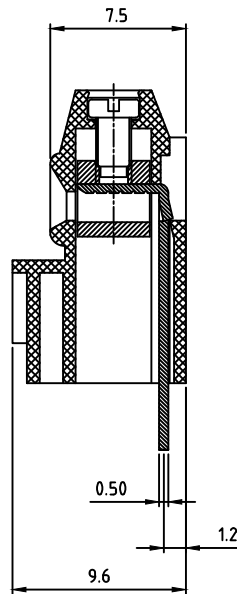
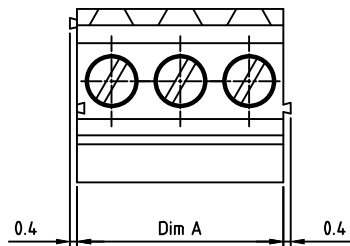


SPECIFICATIONS

- Voltage Rating: 300 VAC
- Current Rating: 10 Amps
- Stranded/Solid Wire: 16-24
- Wire Strip Range: 5-6mm
- Dielectric withstanding: 1.6KV
- Operating Temperature: -40°C~+115°C
- Max Processing Temp: 250°C±10°C for 5 seconds
- Clamp: Brass, Ni Plated
- Terminal Screw: Steel, Zinc Plated, "–" Slot Type
- Solder Pin: Brass with Tin Plated
- Insulator Material: Thermoplastic UL 94V-0
- Torque: 1.7in-lb
- Screw: M2
- Safety Approval: us



P.C.B. LAYOUT

Dimensions	
A	N×3.81
B	(N-1)×3.81
Poles	Tolerance
2P-5P	±0.15
6P-10P	±0.20
11P-16P	±0.30
17P-24P	±0.40

TBBK-xx BAxJ-FG

- 02 2 CONTACTS
- 03 3 CONTACTS
-
- 24 24 CONTACTS

FG: RoHS Compliant
Pb<40000ppm

- J: Black(RAL9005)
- E: Green(RAL6018/T)
- F: Blue(RAL5015/A)
- H: Grey(RAL7035/D)

APTOS Technology CONFIDENTIAL
 This document, and all information it contains, are the confidential, proprietary property of APTOS Technology. Disclosure, duplication or distribution of this document, or any information it contains, in whole or part, without prior written permission from APTOS Technology is strictly prohibited

GENERAL TOLERANCE UNLESS OTHERWISE SPECIFIED					
xxx. ± x	.xx ± 0.10			<div style="display: flex; justify-content: space-between;"> <div style="width: 45%;"> <p style="font-size: small;">REV. c</p> <p style="font-size: small;">DATE 07/11/2017</p> <p style="font-size: small;">SCALE As shown</p> <p style="font-size: small;">UNIT mm</p> </div> <div style="width: 45%;"> <p style="font-size: small;">DRAWN</p> <p style="font-size: small;">CHECKED</p> <p style="font-size: small;">APPROVED</p> <p style="font-size: small;">SIZE A4</p> </div> </div>	
xx. ± x	.xxx ± x				
x. ± 0.50	x.' ± 1"				
.x ± 0.30	.x" ± 1"				
DATE 06/30/05		TBBK Series			
PRODUCT NO. TBBK-XXBAXJ-FG		FILE NAME: TBBK-XXBAXJ-FG LF APD.DWG			